

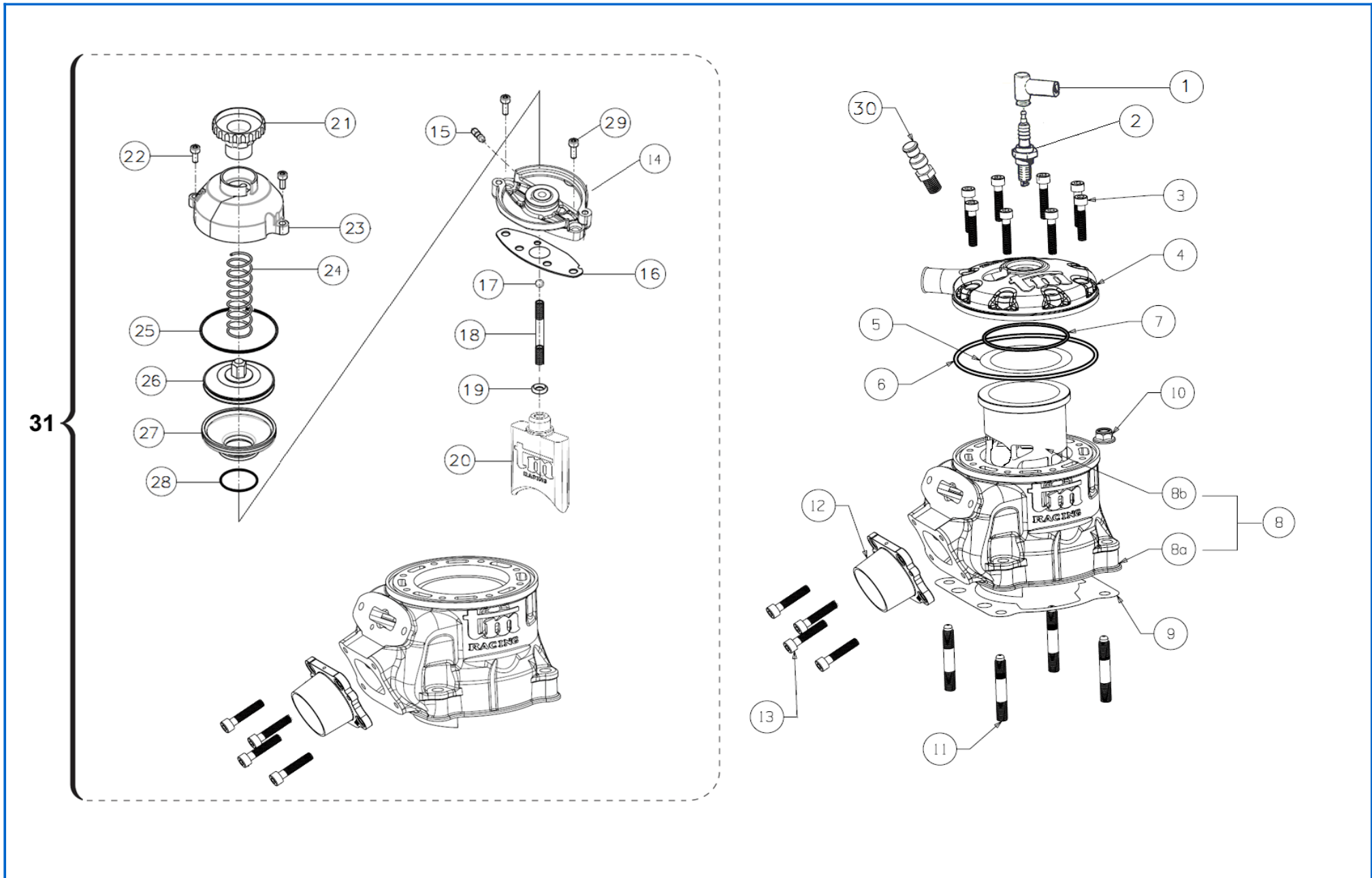


JUNIOR | SENIOR
TM 041-EJ-16 | TM 041-ES-56
CATALOGO RICAMBI – PARTS CATALOGUE

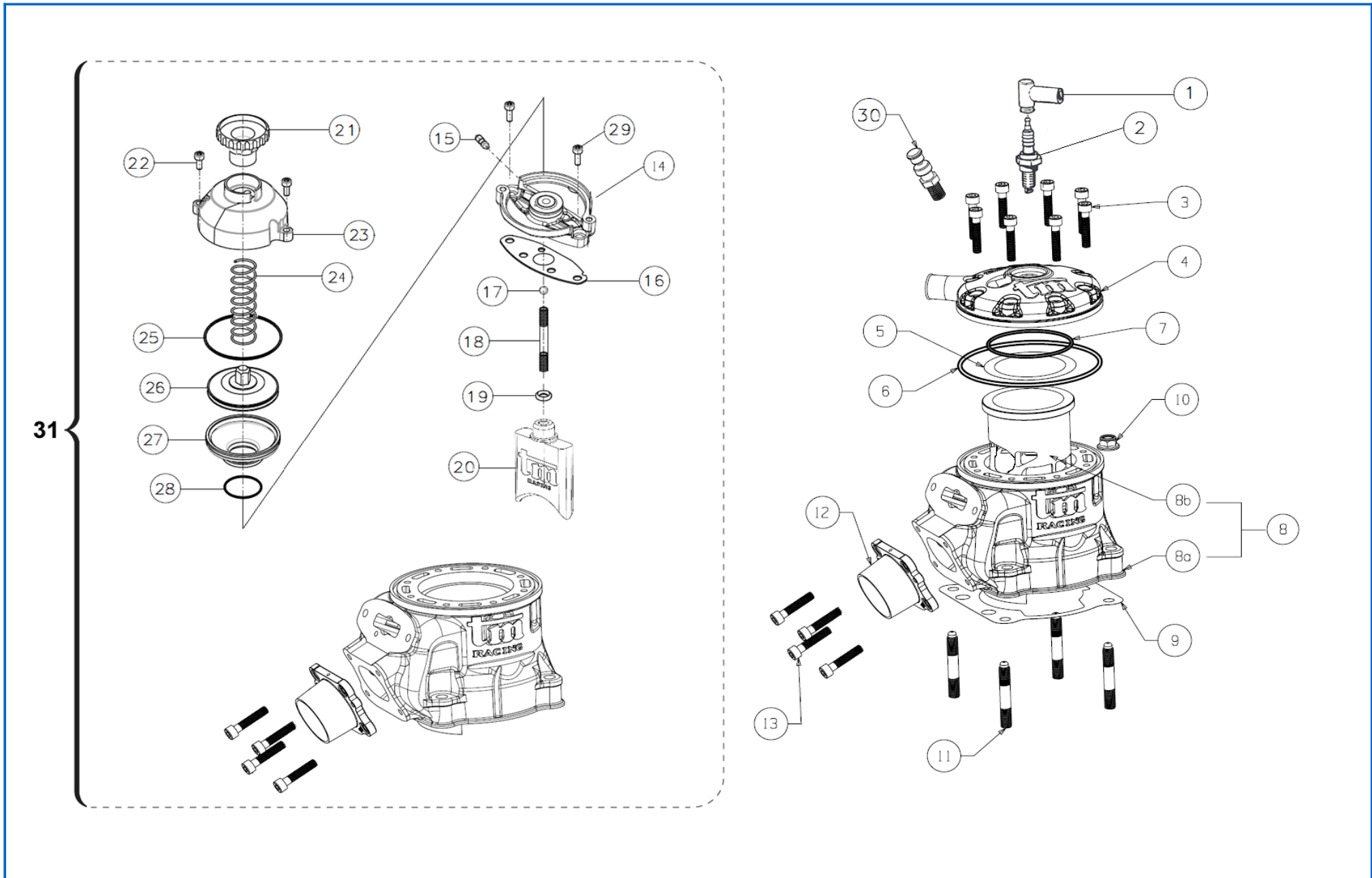
OK

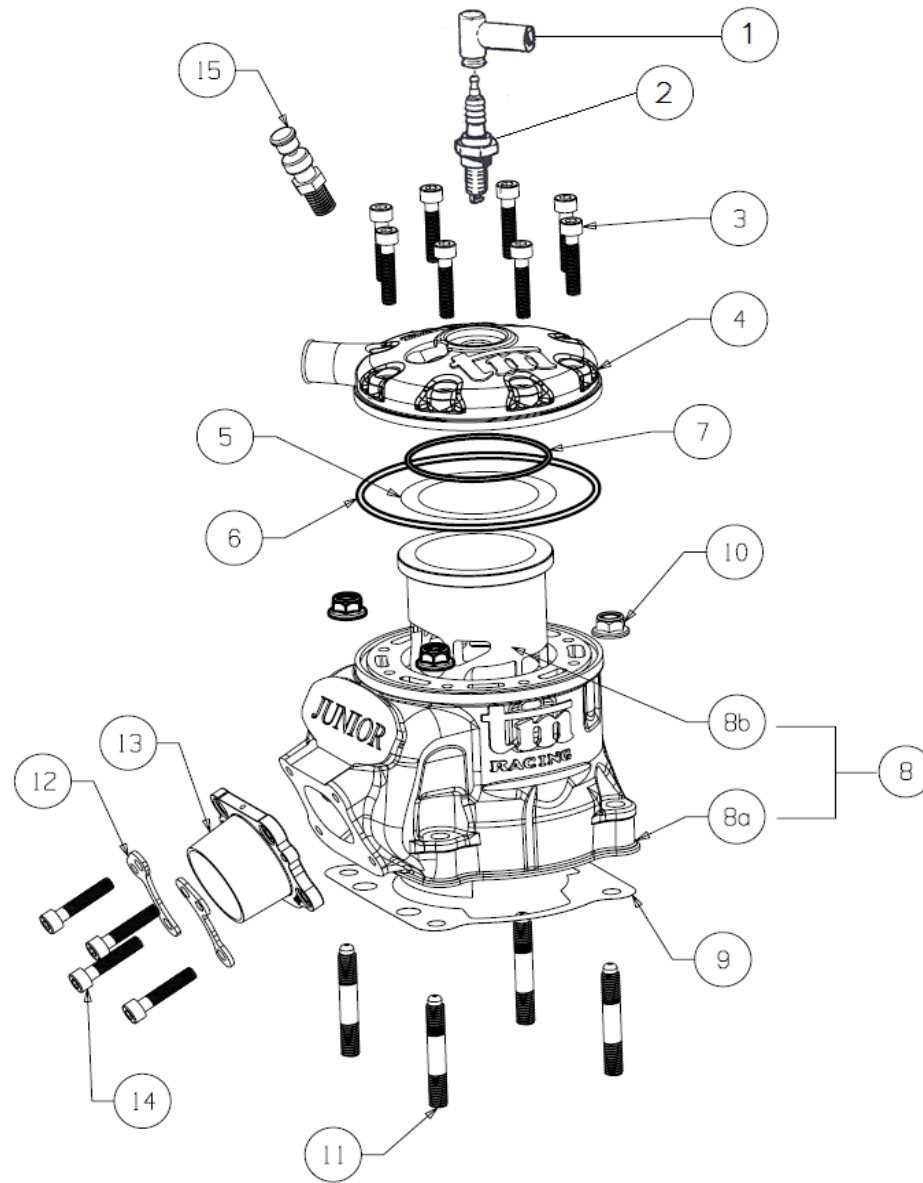
Last Update:
28/09/20

www.tmracing.it

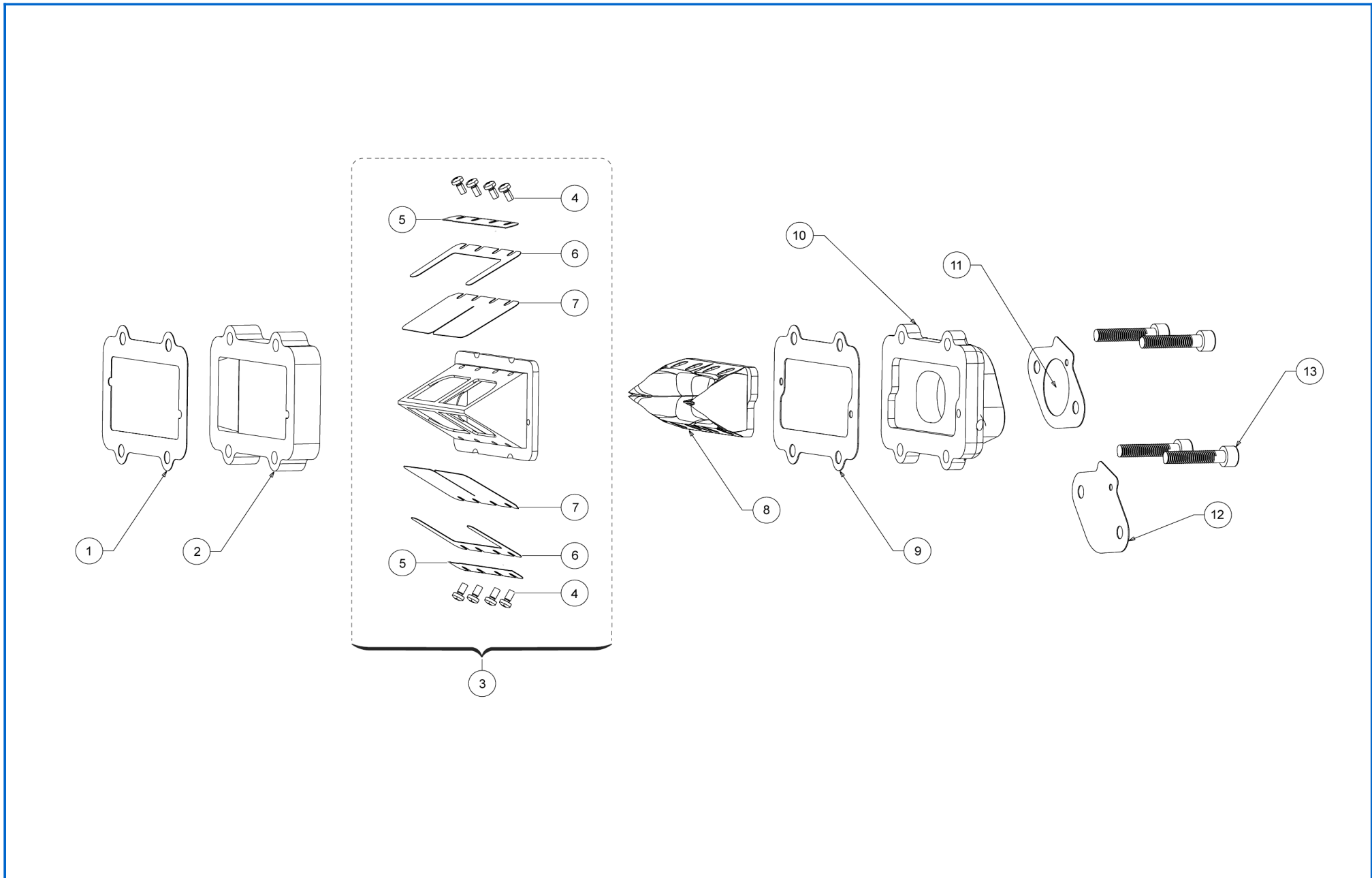


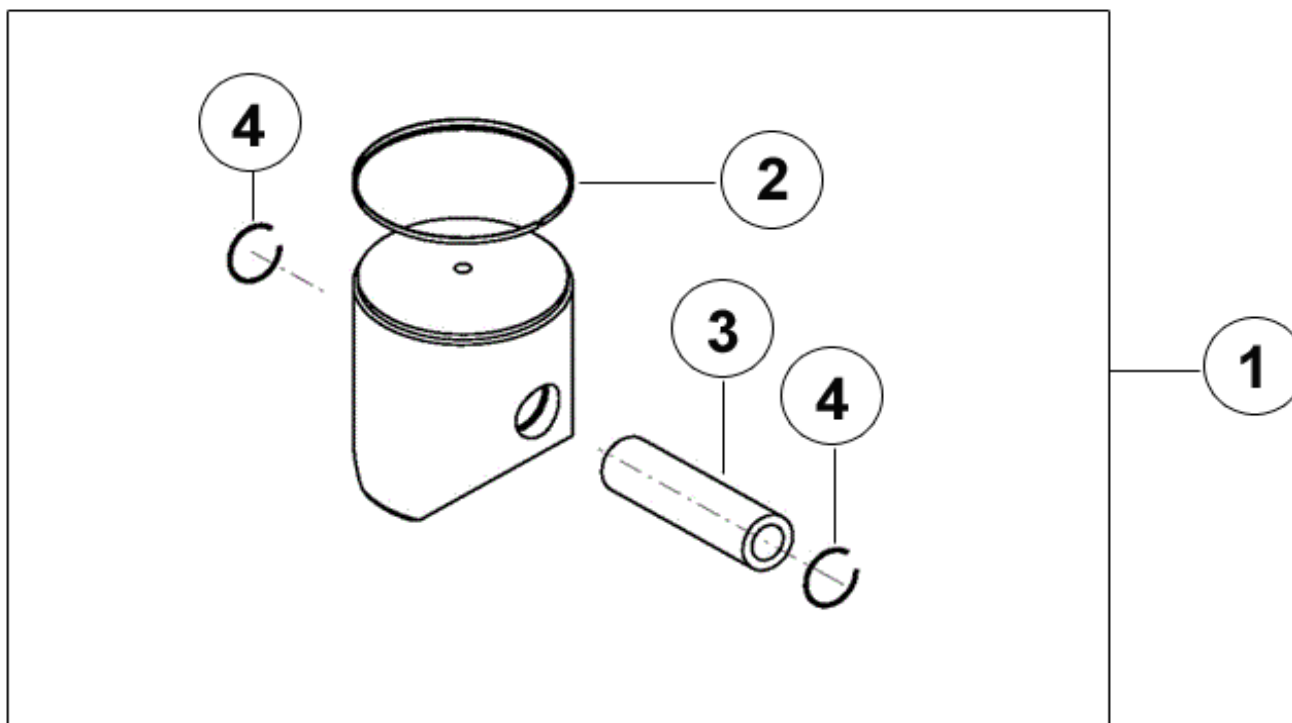
POS.	CODICE	Q.tà - Q.ty	MY	NOTE	DESCRIZIONE	DESCRIPTION
1	15220	1			PIPETTA PVL MF1/2/3 60cc/OK	CAP, SPARK PULG
2	06012	1			CANDELA NGK BR1OEG	SPARK PLUG
3	49486	8			VITE TCEI 6X30	BOLT
4	02557.1	1			TESTA KART 125 OK SENIOR	HEAD
5	05354	-			GUARN. S/TESTA MF/KZ/OK 0.05	GASKET
	05355	1			GUARN. S/TESTA MF/KZ/OK 0.10	GASKET
	05356	-			GUARN. S/TESTA MF/KZ/OK 0.20	GASKET
6	12014	1			O RING TESTA MF1/MF2 KZ10	O-RING
7	12003	1			O RING TESTA 125 90/06KVK8-910	O-RING
8	01206.19	1	OM19		CILINDRO KART 125 OK NUDO	CYLINDER
8a	---		OM19		NON DISPONIBILE	NOT AVAILABLE
8b	00912.5027	1	OM19		CANNA	LINER
9	05025.1	-			GUARN. B/CIL. MF1/2/3 OK 0,10	GASKET
	05025.7	-			GUARN. B/CIL. MF1/2/3 OK 0,15	GASKET
	05025.2	1			GUARN. B/CIL. MF1/2/3 OK 0,20	GASKET
	05025.3	-			GUARN. B/CIL. MF1/2/3 OK 0,30	GASKET
	05025.4	-			GUARN. B/CIL. MF1/2/3 OK 0,40	GASKET
10	49640	4			DADO M 8 FLANGIATO CHIAVE 12	NUT
11	49027.1	4			PRIGIONIERO M 8 X 54 MF1	STUD
12	13106	1			COLLETTORE SCARICO 125 OK SEN	MANIFOLD, EXHAUST
13	49483	4			VITE TCEI 6X16	BOLT
14	22071	1			SUPPORTO DI BASE VALV KF2/B 13	MEMBRANE
15	28065	1			RACCORDO PER SFIATO ARIA MF3	JOINT
16	05062	1			GUARNIZIONE SUPP.VALV.MF3	GASKET
17	F19517	1			SFERA	BALL
18	49164	1	OM19		PERNO	PIN
19	12013	1			O-RING	O-RING
20	22086	1	OM19		VALVOLA	VALVE
21	22033	1			POMELLO VALVOLA SCARICO 125TAG	PRE-LOAD ADJUSTER
22	49890	2			VITE TBCE 5X14	BOLT

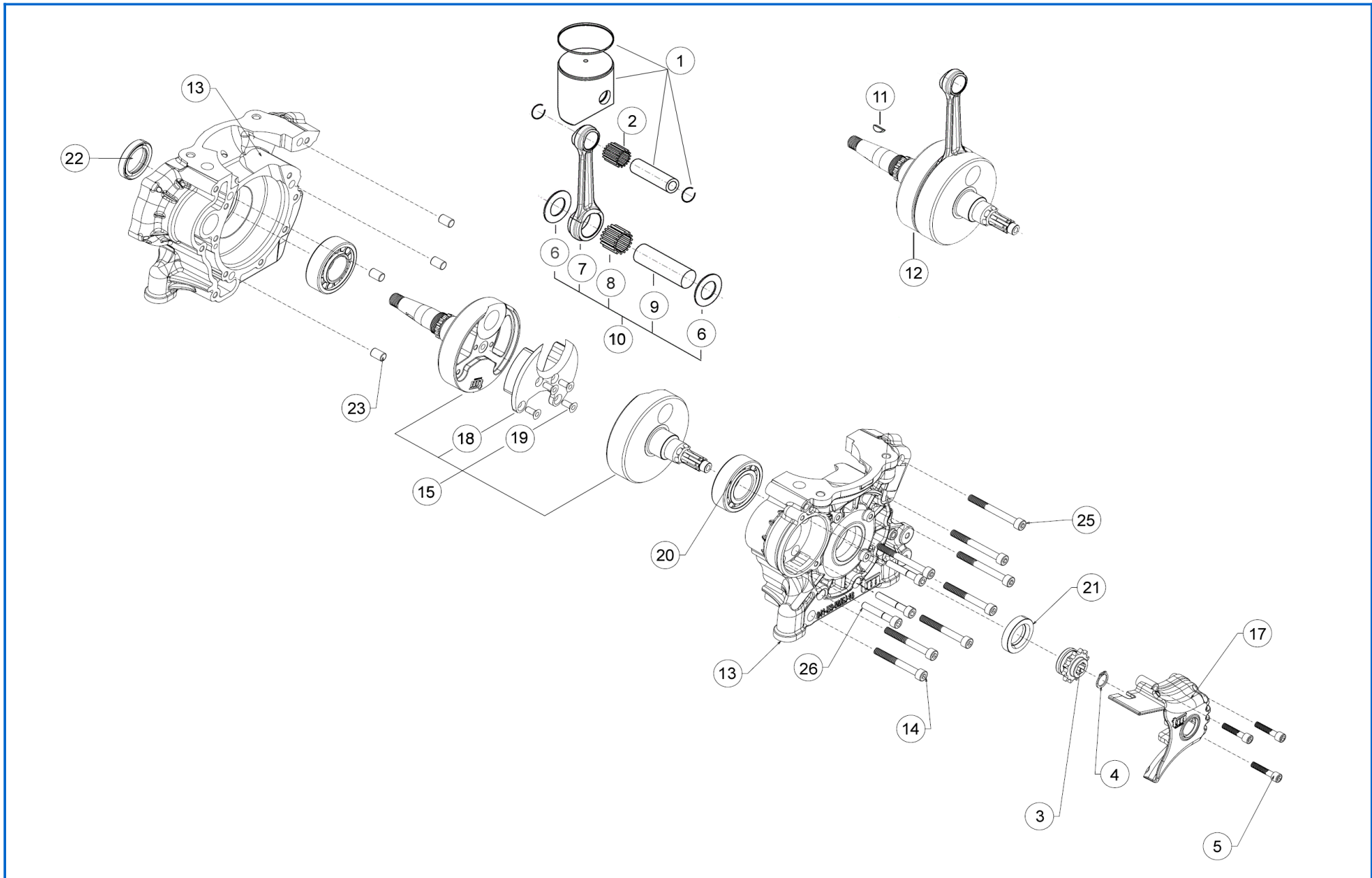




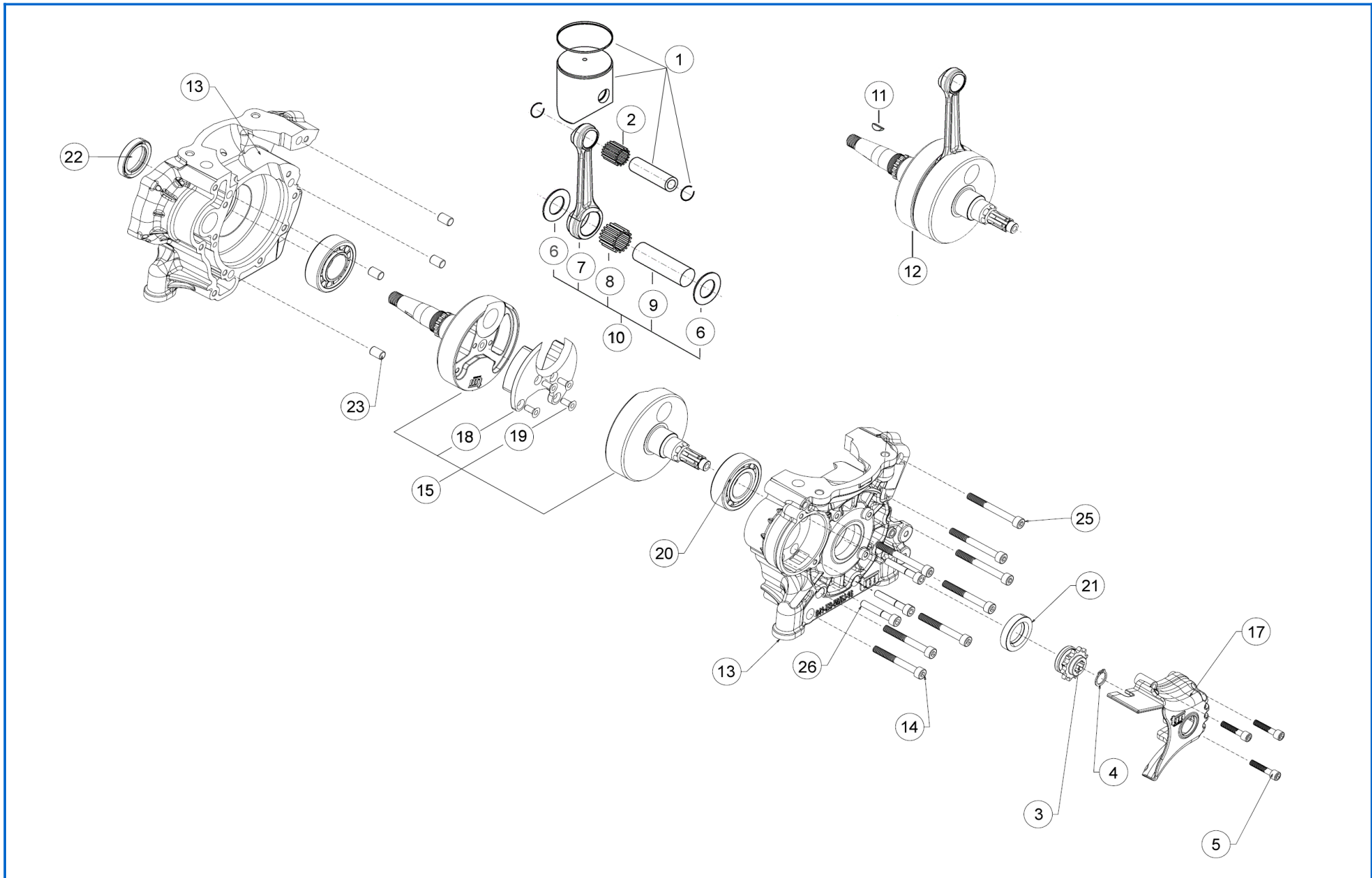
POS.	CODICE	Q.tà - Q.ty	MY	NOTE	DESCRIZIONE	DESCRIPTION
1	15220	1			PIPETTA PVL MF1/2/3 60cc/OK	CAP, SPARK PULG
2	06012	1			CANDELA NGK BR1OEG	SPARK PLUG
3	49486	8			VITE TCEI 6X30	BOLT
4	02557	1		JUNIOR	TESTA KART 125 OK JUNIOR	HEAD
5	05354	-			GUARN. S/TESTA MF/KZ/OK 0.05	GASKET
	05355	1			GUARN. S/TESTA MF/KZ/OK 0.10	GASKET
	05356	-			GUARN. S/TESTA MF/KZ/OK 0.20	GASKET
6	12014	1			O-RING	O-RING
7	12003	1			O-RING	O-RING
8	01204.19	1	OM19	JUNIOR	CILINDRO KART 125 OK CPL JUN	CYLINDER
8a	---	1	OM19		NON DISPONIBILE	NOT AVAILABLE
8b	00700	1		JUNIOR	CANNA	LINER
9	05025.1	-			GUARN. B/CIL. MF1/2/3 OK 0,10	GASKET
	05025.7	-			GUARN. B/CIL. MF1/2/3 OK 0,15	GASKET
	05025.2	1			GUARN. B/CIL. MF1/2/3 OK 0,20	GASKET
	05025.3	-			GUARN. B/CIL. MF1/2/3 OK 0,30	GASKET
	05025.4	-			GUARN. B/CIL. MF1/2/3 OK 0,40	GASKET
10	49640	4			DADO M 8 FLANGIATO CHIAVE 12	NUT
11	49027.1	4			PRIGIONIERO M 8 X 54 MF1	STUD
12	13111	2			PIASTRINO MOLLA	PLATE, SPRING
13	13107	1		JUNIOR	COLLETTORE SCARICO 125 OK JUN	MANIFOLD, EXHAUST
14	49484	4			VITE TCEI 6X20	BOLT
15	22084	1			VALVOLA DECOMPRESSIONE	DECOMPRESSION VALVE

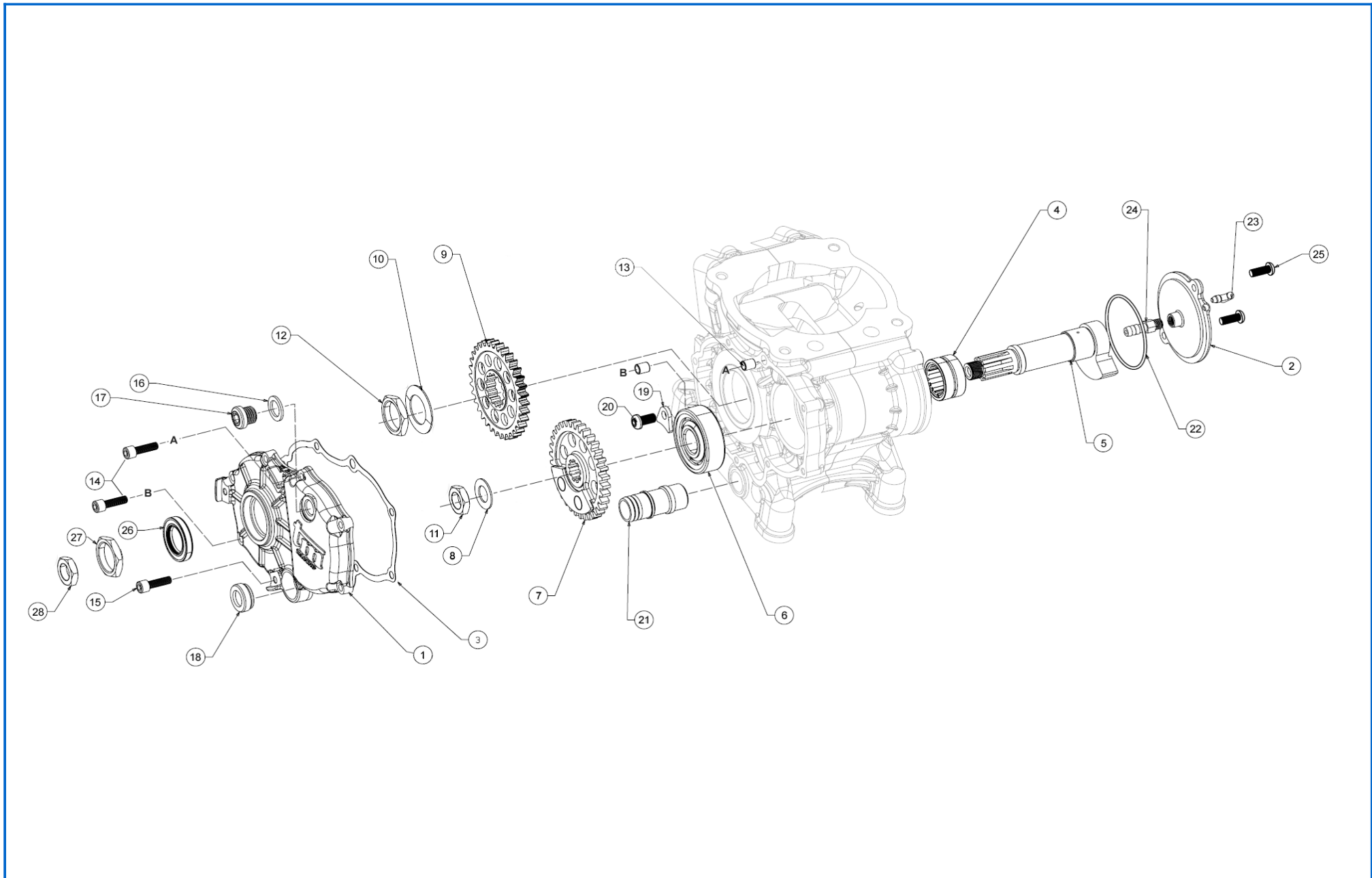




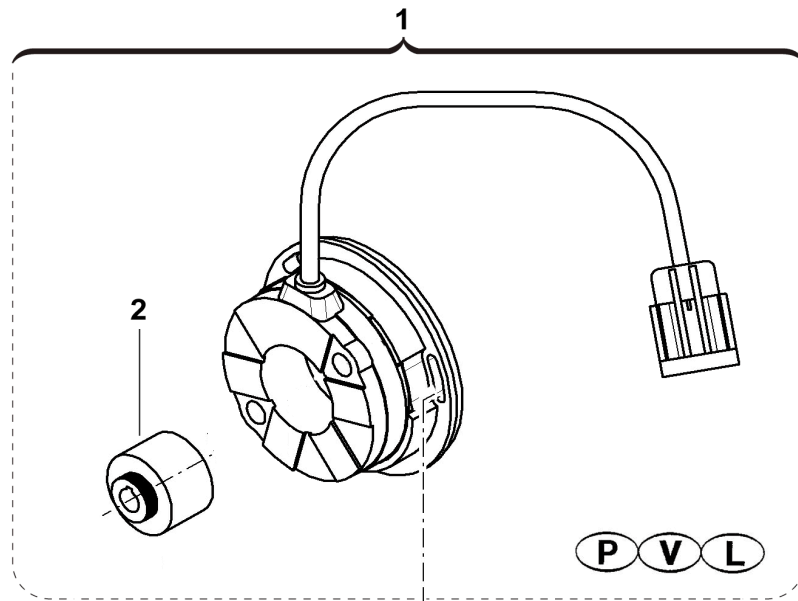


POS.	CODICE	Q.tà - Q.ty	MY	NOTE	DESCRIZIONE	DESCRIPTION
1	-	-			VEDI TAVOLA 04	SEE DRAW 04
2	19034	1			GABBIA SPINOTTO 15X19X17,3	BEARING, TOP END
	19056	1			GABBIA SPINOTTO ARGENTATA	BEARING, TOP END, SILVER
3	40102	1			PIGNONE CATENA 125CC OK Z10	SPROCKET 10 T
	40103	1			PIGNONE CATENA 125CC OK Z11	SPROCKET 11 T
	40104	1			PIGNONE CATENA 125CC OK Z12	SPROCKET 12 T
	40105	1			PIGNONE CATENA 125CC OK Z13	SPROCKET 13 T
	40106	1			PIGNONE CATENA 125CC OK Z14	SPROCKET 14 T
4	F49878	1			SEEGER E 13	CIRCLIP
5	49477	3			VITE TCEI 5X25	BOLT
6	18061	2			RONDELLA ARGENTATA D.20X34X1	WASHER, SILVER
7	18120	1		JUNIOR	BIELLA OK-JUNIOR NUDA INT.104	CON ROD
	18127	1		SENIOR	BIELLA OK-SENIOR NUDA INT.104	CON ROD
8	17020	1			GABBIA ARGENTATA 20 J	SILVER BEARING
9	18271	1	OM19		ASSE ACCOP. 20 X 48 FORO 5	PIN WITH 5mm HOLE
10	18128.5	1	OM19	JUNIOR	BIELLA OK-J CPL F.5	CON ROD KIT WITH PIN 5mM HOLE
	18129.5	1	OM19	SENIOR	BIELLA OK-SENIOR CPL ASSE F.5	CON ROD KIT WITH PIN 5mM HOLE
11	49011	1			CHIAVETTA	WOODRUFF KEY
12	18358	1	OM19	JUNIOR	ALBERO MOTORE COMPLETO OK JUNIOR	CRANKSHAFT ASSY
	18359	1	OM19	SENIOR	ALBERO MOTORE COMPLETO OK SENIOR	CRANKSHAFT ASSY
13	30236	1	OM19	JUNIOR	BASAMENTO OK S2-JUNIOR	CRANK CASE
	30235	1	OM19	SENIOR	BASAMENTO OK S2-SENIOR	CRANK CASE
14	49490	4			VITE TCEI 6X50	BOLT
15	18360	1	OM19	JUNIOR	COPPIA SEMIALBERI OK S2-JUNIOR	CRANK LH + RH
	18361	1	OM19	SENIOR	COPPIA SEMIALBERI OK S2-SENIOR	CRANK LH + RH
17	30167	1			COPERCHIO PROT.CATENA 125 OK	COVER, PLASTIC
18	18327	2	OM19		GUANCETTA	PLASTIC INSERT
19	49399	8			VITE TSEI 5 X 12	BOLT
20	03029	2			CUSCINETTO BC1-1442 B	BEARING
21	04112	1			PARAOILIO 25X38X7 125 MF1	OIL SEAL

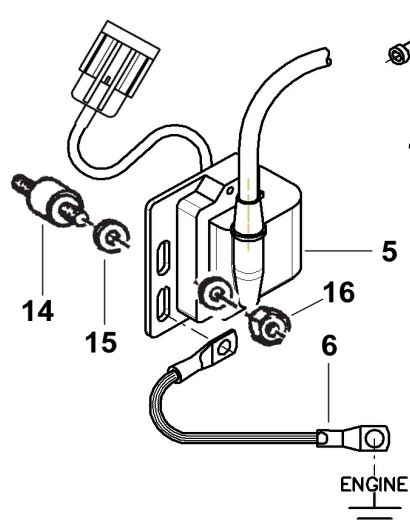
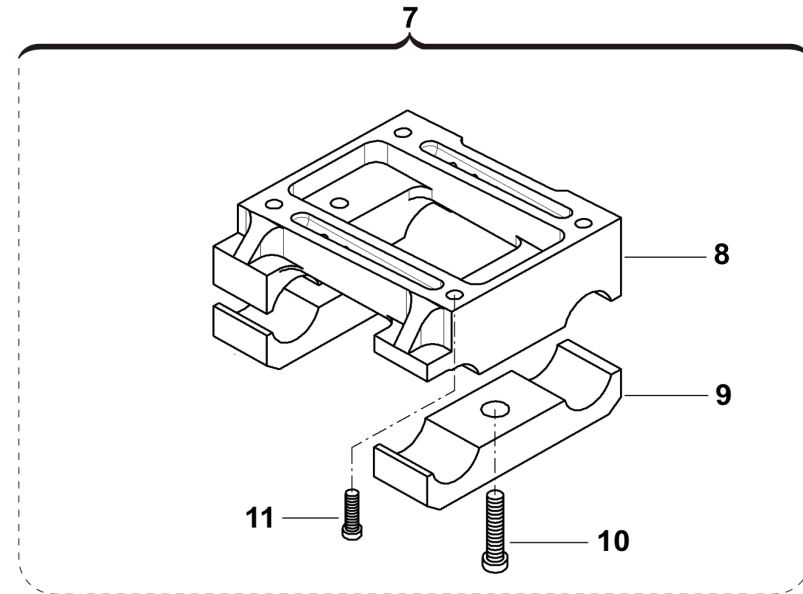




POS.	CODICE	Q.tà - Q.ty	MY	NOTE	DESCRIZIONE	DESCRIPTION
1	30358	1	OM19		COPERCHIO TRASMISSIONE	COVER, TRANSMISSION
2	30359	1	OM19		COPERCHIO CONTRALBERO	COVER, BALANCE SHAFT
3	05063	1	OM19		GUARNIZIONE	GASKET
4	19049	1			CUSCINETTO A RULLINI 22/30/16	BEARING
5	28064	1			ALBERO CONTRALBERO 125 MF3	BALANCE SHAFT
6	4403001	1			CUSCINETTO 6303 C4 MF1/MF2	BEARING
7	40356	1		JUNIOR	INGRANAGGIO CONTRALBERO	GEAR
	40361	1		SENIOR	INGRANAGGIO CONTRALBERO	GEAR
8	49073	1			RONDELLA 12,1X22X1 125TAG	WASHER
9	40352	1			INGRANAGGIO X CONTRALB. 125MF1	GEAR
10	F49917.1	1			MOLLA A TAZZA D.35 EST.	WASHER
11	49072	1			DADO ALBERO C/ALBE M12X1 MF1/2	NUT
12	49074	1			DADO M21 X 1 125 MF1	NUT
13	26041	2			GRANO CENTRAGGIO D.7X8 F.5,2	PIN
14	49476	2			VITE TCEI 5X20	BOLT
15	49475	6			VITE TCEI 5X18	BOLT
16	49125	1			RONDELLA 12X18X1,5 ALLUMINIO	WASHER
17	49298	1			TAPPO CARICO OLIO OK	OIL PLUG
18	04019	1			OBLO' OLIO 125 K MF1 MF2	OIL LEVEL INSPECTION SIGHT GLASS
19	26156	1			PIASTRINO BLOC.CUSC.C.A.125 OK	STOPPER, BEARING
20	49771	1			VITE TBCE 6X12	BOLT
21	28047	1	OM19		RACCORDO ACQUA TESTA 4T+125 2T	JOINT
22	12080	1			O RING 2200 NBR	O-RING
23	C11375	1			RACCORDO SFIATO OK	JOINT
24	49003.1	1			RACCORDO POMPA DEP. CH8x27 F.4	JOINT
25	49890	2			VITE TBCE 5X14	BOLT
26	04114	1			PARAOLIO LATO ACCENSIONE MF1	OIL SEAL
27	49063	1			DADO ALLUMINIO	NUT
28	49056	1			DADO	NUT



499



12



13

